

Sell Sheet WB-1271

WASTE SEPARATION BIN 60 L

Compact selective waste solution for desk sides in hospitality and office environments. Available in sleek black or satin stainless steel. 3 galvanised inside liners in each container: 60 L = 30 L + 15 L + 15 L. Waste identification on lid with pictogram & colour stickers (included).



WB-1271-BLA



WB-1271-SSSTL



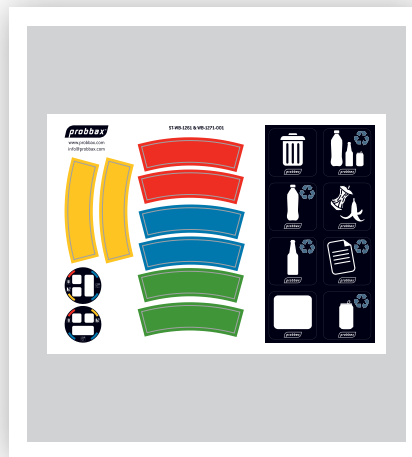
60 L



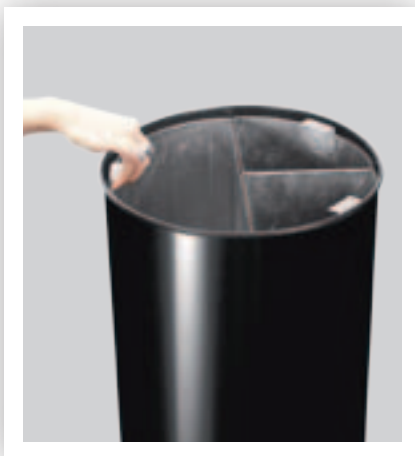
1 x 30 L
2 x 15 L



One 30 L liner and two 15 L liners



Pictogram & colour stickers delivered with each unit



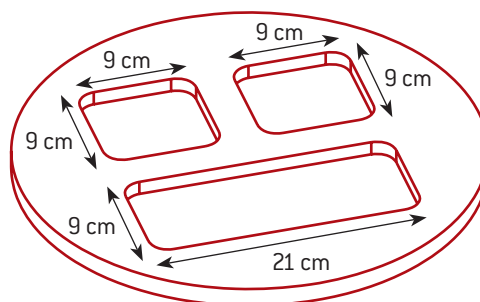
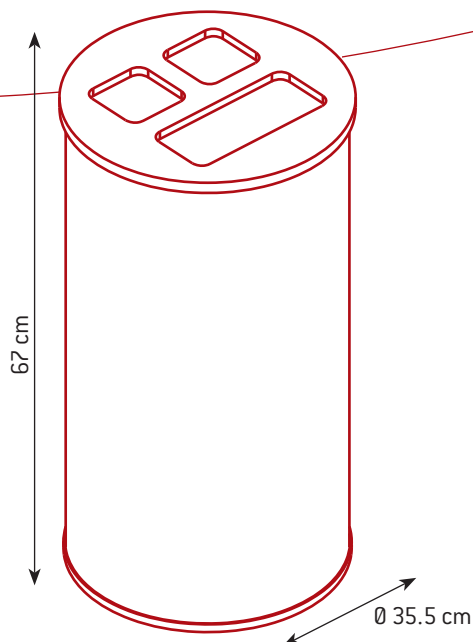
Easily removable using integrated handles



Ideal for compact separation of all types of waste

Technical Sheet WB-1271

WASTE SEPARATION BIN 60 L



CARTON SPECIFICATIONS

Product codes :

WB-1271-BLA
WB-1271-SSSTL

EAN codes :

- WB-1271-BLA : 4897020624721
- WB-1271-SSSTL : 4897020624738

Materials :

- WB-1271-BLA : Epoxy
- WB-1271-SSSTL : Stainless Steel

Colours :

- WB-1271-BLA : Black
- WB-1271-SSSTL :
Satin Stainless Steel

Capacity :

60 L

Product net weight :

7.3 kg/unit

Product dimensions :

(L) 35.5 x (W) 35.5 x (H) 67 cm

